



12Mbps



USB Distance Extender

USB Distance Extender Specification

ItemNo.	UE-RA5000
Length	5000cm
Color	black
Package	color box

Remark: Picture in catalogue for reference only, color and specification according to real product.

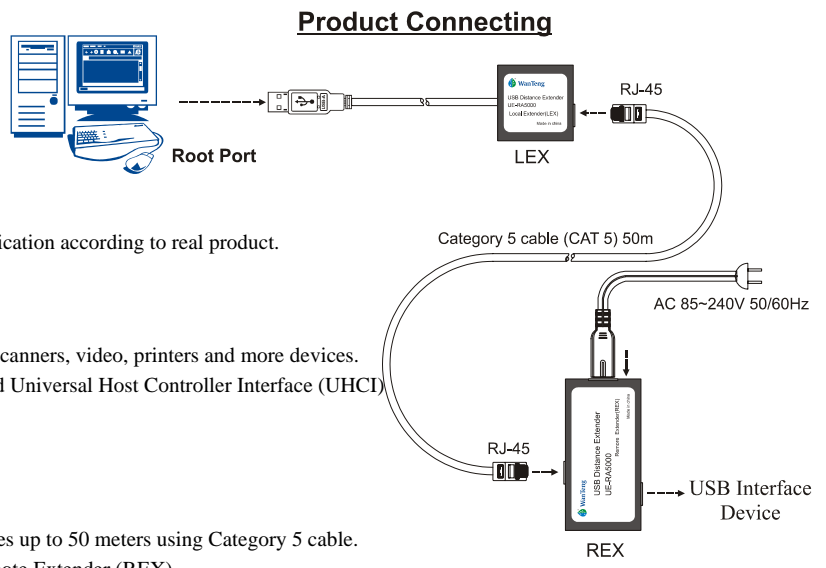
UE-RA5000 USB Distance Extender

FEATURES

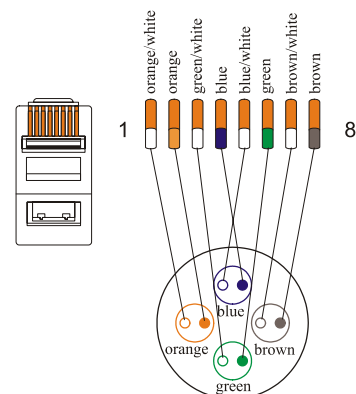
- Max 12 Mbps data transfer rate-perfect for high-speed scanners, video, printers and more devices.
- Supports both Open Host Controller Interface (OHCI) and Universal Host Controller Interface (UHCI)
- Hot Pluggable, PNP
- Per Port Overcurrent Detection and protection.
- Auto-detecting & speed testing on devices.
- One upstream port and One downstream port
- ExtremeUSB technology extends the range of USB devices up to 50 meters using Category 5 cable.
- Flexibility of locating the power adapter at either the Remote Extender (REX)
- 1-port versions available.
- Provides support for both low-power and high-power USB devices
- Ships with a USB cable, power adapter and User Guide
- Power adapters are available for International (AC 85~240V 50/60HZ) applications
- Fully compliant with USB 1.1 Specification, ascertified by the USB Implementers Forum

SPECIFICATIONS

- Range (over Category 5 UTP cable) 50 meters
- USB cable 1.5 meters
- LEX connector (upstream) 1 x USB Type A
- LEX connector (downstream) 1 x RJ-45
- REX connector (upstream) 1 x RJ-45
- REX connector (downstream) 1 x USB Type A
- Power adapter capacity 5V DC @ 1A (connected at REX)
- Power available to USB at REX 1 x 500mA
- LEX dimensions 70mm x 65mm x 27mm
- LEX weight 0.3 kg
- REX dimensions 133mm x 68mm x 32mm
- REX weight 0.3 kg
- Total system shipping weight 1.1 kg
- Temperature range 4°C to 40°C



UE-RA5000(USB 转发延长线)



Note :RJ-45 CAT5 cable by EIA/TIA 568B criterion (100Mbps network card to Hub)





WanTeng

系列 USB 接口设备

Plug and play



12Mbps



USB 长线收发器

USB 长线收发器规格表

型号	UE-RA5000
长度	5000cm
颜色	黑
包装	彩合

注：所示图片供参考，颜色和规格以实际产品为准。

UE-RA5000 USB Distance Extender (USB 长线收发器)

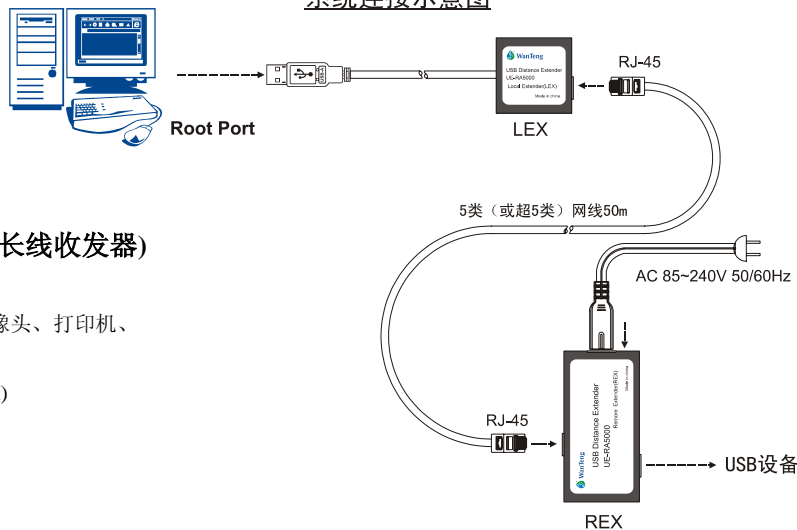
主要功能：

- 全最高 12Mbps 数据传输率可支持高速扫描仪、摄像头、打印机、以及其他标准的 USB 设备
- 同时支持开放式主机接口(OHCI)和 USB 接口(UHCI)
- 支持热拔插
- 端口带有过流检测和过载保护功能
- 自动检测和测试设备速度
- 一个上行端口和一个下行端口
- USB 长线收发技术可以使 USB 设备的传输距离通过 5 类线缆扩展到 50m
- 远端收发器(REX)配有外接电源，可以直接为 USB 设备提供电源
- 可提供多端口版本
- 同时支持高低两种功率消耗的 USB 设备
- 包装内附带 USB 电缆、外接电源线和使用说明
- 电源可以自动适应国际规格(AC 85~240V 50/60Hz)
- 完全兼容 USB 1.1 规格
- 支持任何软件环境

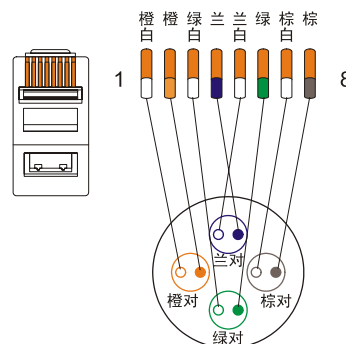
规格：

- 传输范围(使用超 5 类线缆) 50m
- USB 线 1.5m
- LEX 近端收发器(上行) 1 x USB Type A
- LEX 近端收发器(下行) 1 x RJ-45
- REX 远端收发器(上行) 1 x RJ-45
- REX 远端收发器(下行) 1 x USB Type A
- 电源适配器 DC 5V/1A (内置于 REX 远端收发器)
- 可以从 REX 远端收发器的 USB 端口提供 1x500mA 电力
- LEX 尺寸 70mm x 65mm x 27mm
- LEX 重量 0.3 kg
- REX 尺寸 133mm x 68mm x 32mm
- REX 重量 0.3 kg
- 总包装重量 1.1 kg
- 工作温度 4°C~40°C

系统连接示意图



UE-RA5000(USB 转发延长线)



注：RJ-45 的网线接法是 EIA/TIA 568B 标准 (即 100Mbps 网卡到 Hub 的接法)



WanTeng Electronic Technology Co.,Ltd

网站: <http://www.wantong3w.com>
 Email: sales@wantong3w.com
 地址: 浙江省温州市高新技术产业园区创业园 B 幢 2 楼
 TEL: 0577-86581061, 86581062 FAX: 0577-86581063

Copyright 2007, WanTeng Electronic Technology Co.,Ltd
 Printed in China 04/2007

Manual Part No.

